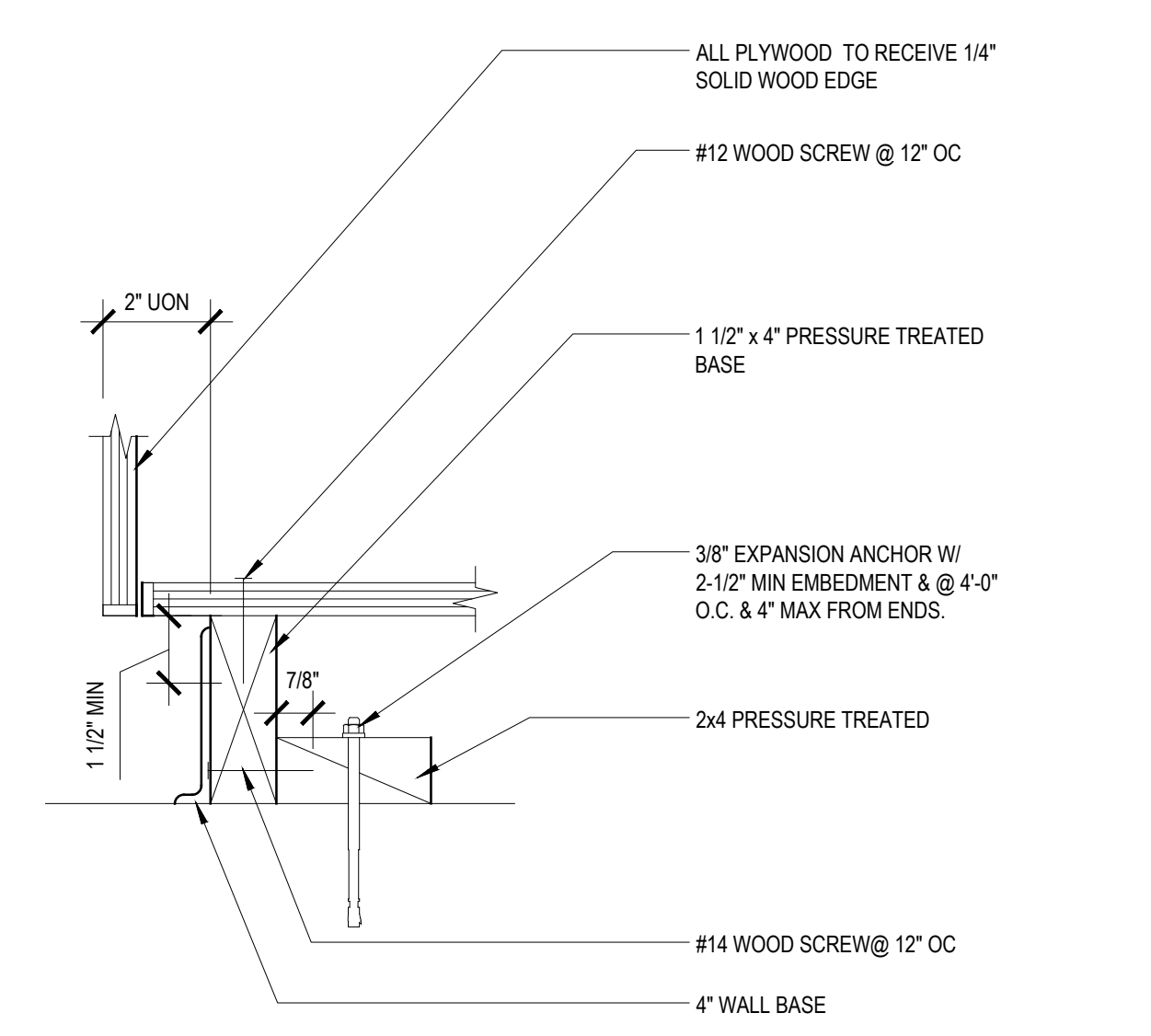
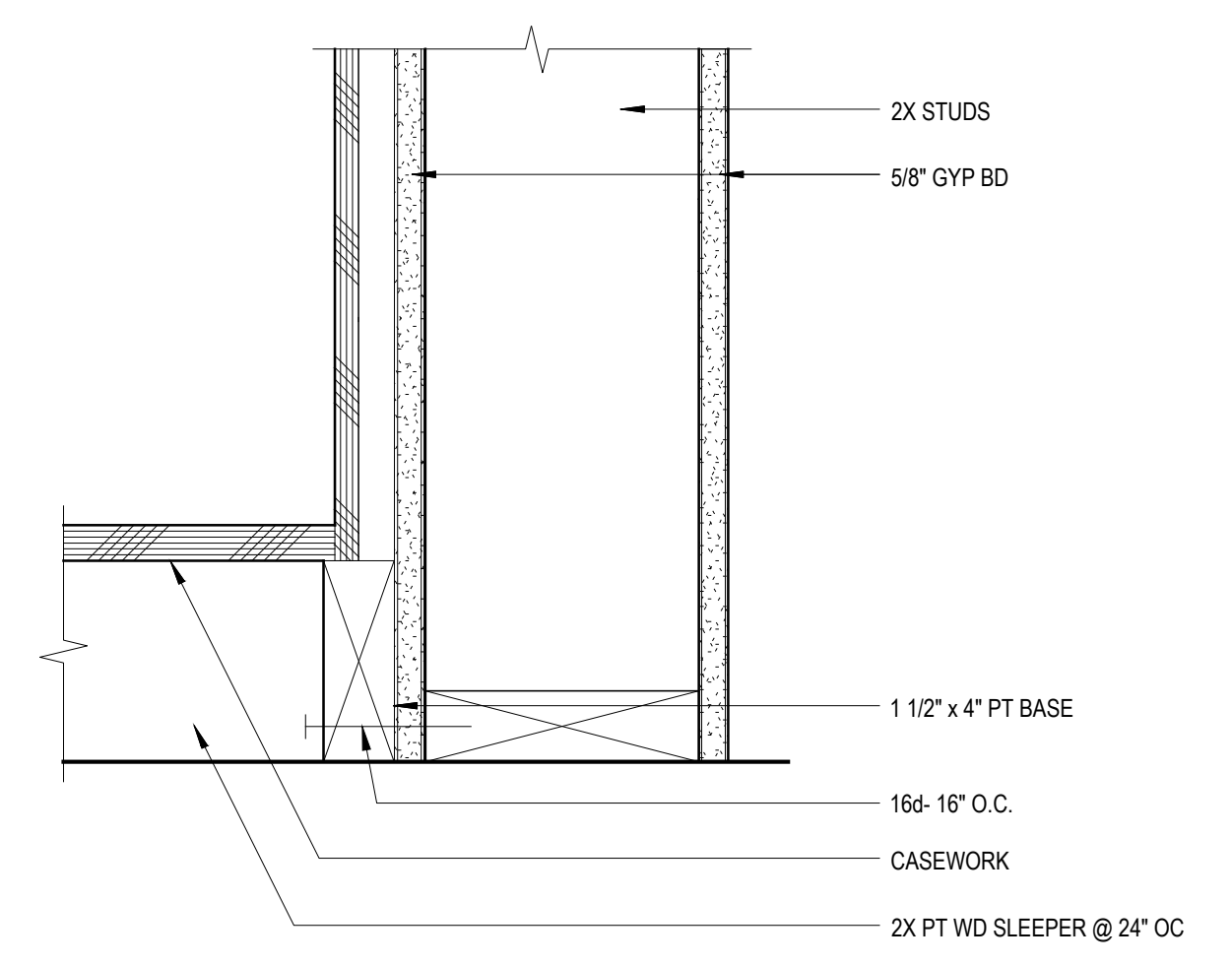


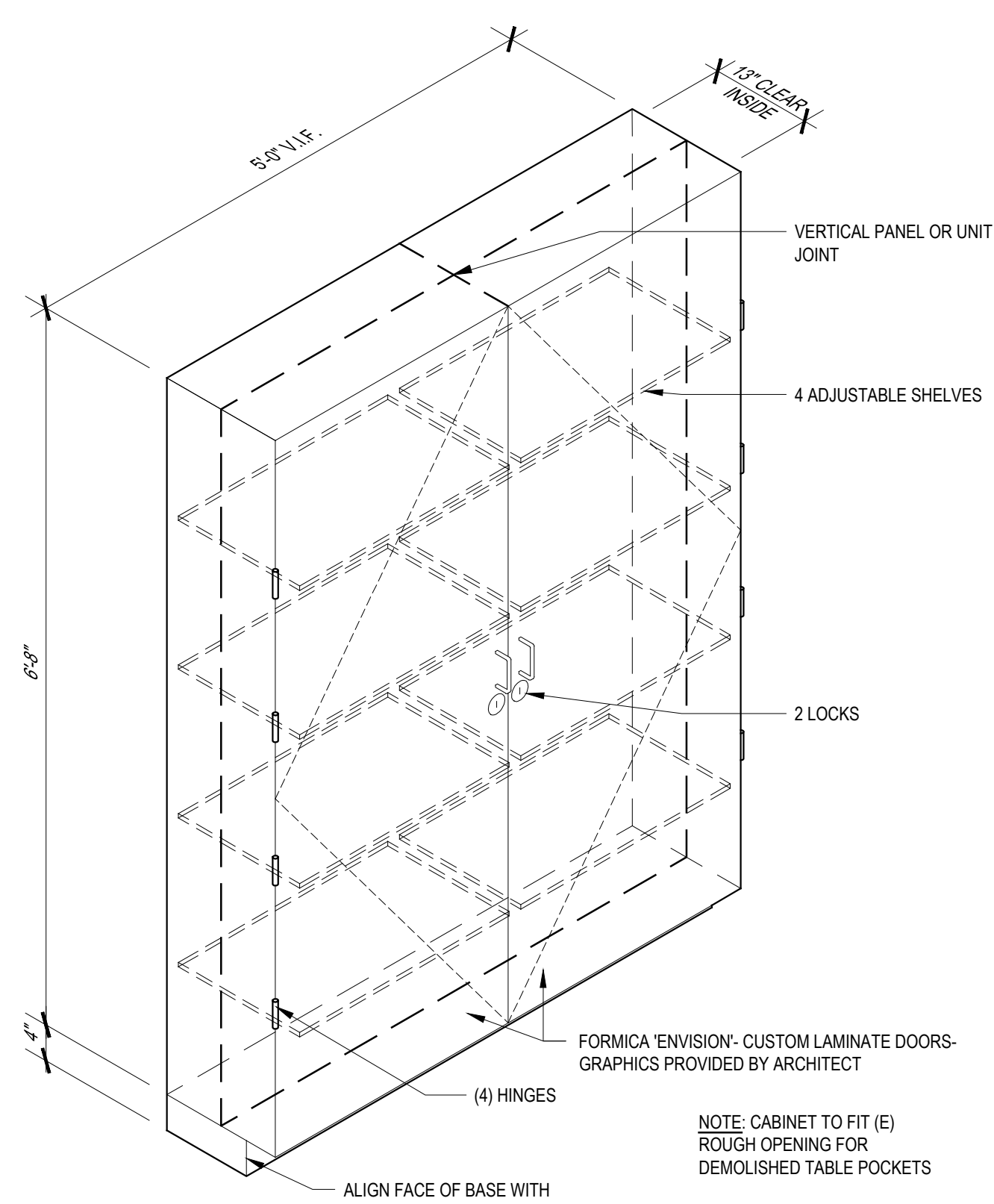
8 WALL CABINET ANCHOR
 SCALE: 3" = 1'-0"



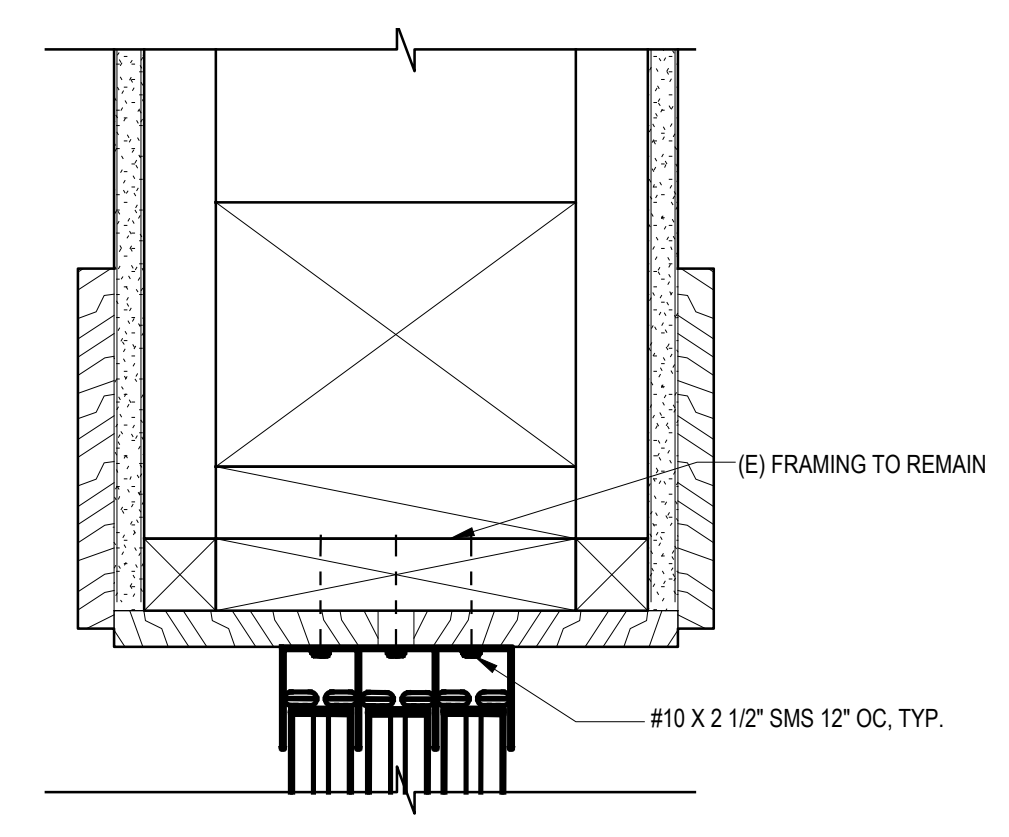
11 BASE CABINET ANCHOR @ FRONT
 SCALE: 3" = 1'-0"



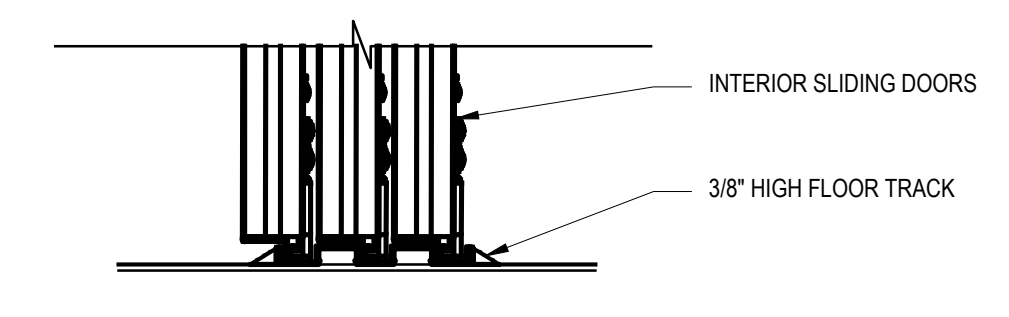
9 BASE CABINET ANCHOR @ BACK
 SCALE: 3" = 1'-0"



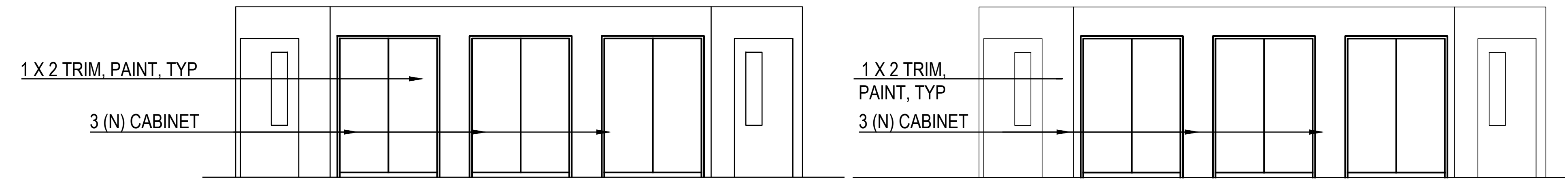
2 INSET CABINET
 SCALE: 3/4" = 1'-0"



10 SLIDING DOOR HEAD
 SCALE: 3" = 1'-0"

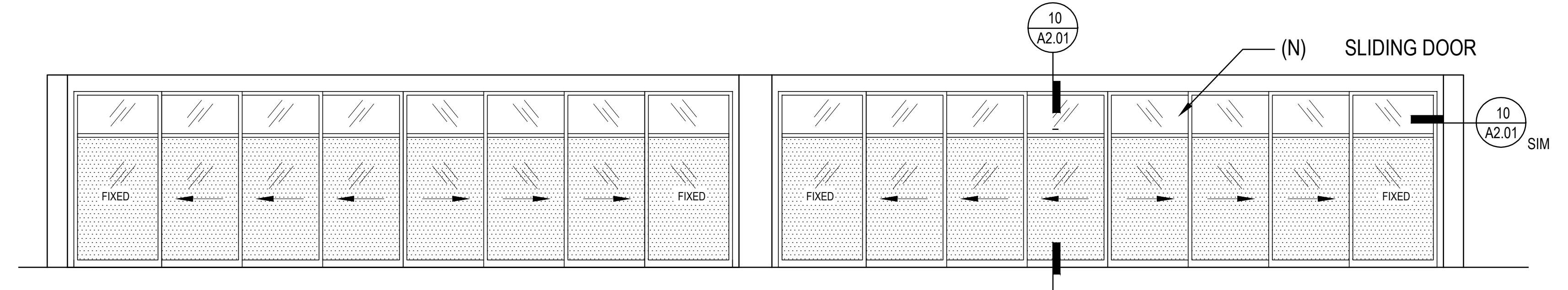


4 SLIDING DOOR SILL
 SCALE: 3" = 1'-0"

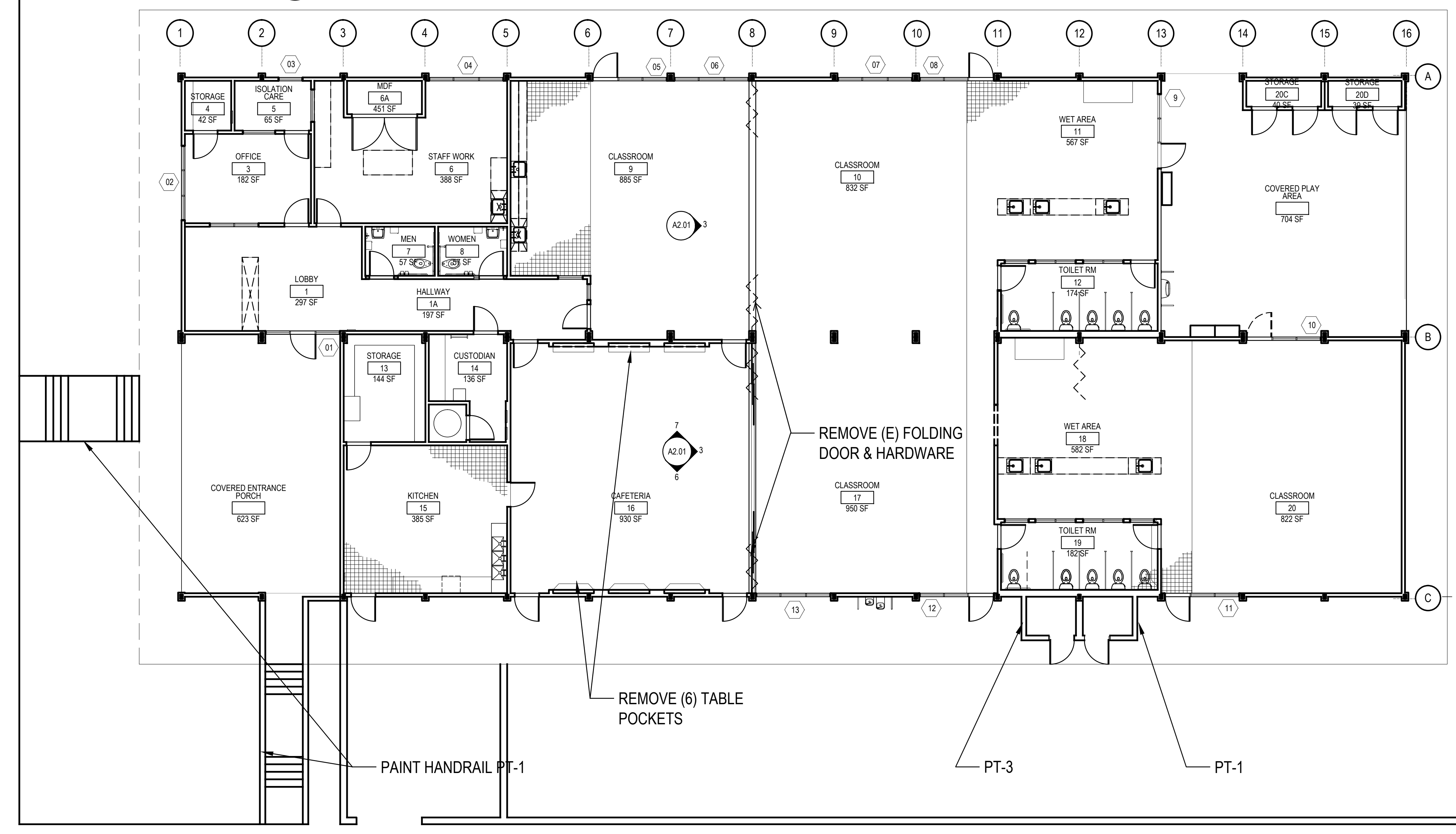


7 NEW CABINET ELEVATION 4
 SCALE: 1/4" = 1'-0"

6 NEW CABINET ELEVATION 5
 SCALE: 1/4" = 1'-0"



3 SLIDING DOOR ELEVATION 1 & 2
 SCALE: 1/4" = 1'-0"



1 PAINT PLAN
 SCALE: 1/8" = 1'-0"

MERRITT COLLEGE
 CHILDRENS CENTER
 Oakland, CA

Drawing Record	
Issue/ Submission	DATE
BID SET	07/28/2016

MERRITT COLLEGE
 Childrens Center
 [GPA PROJECT #1607.00]

FLOOR PLAN
A2.01